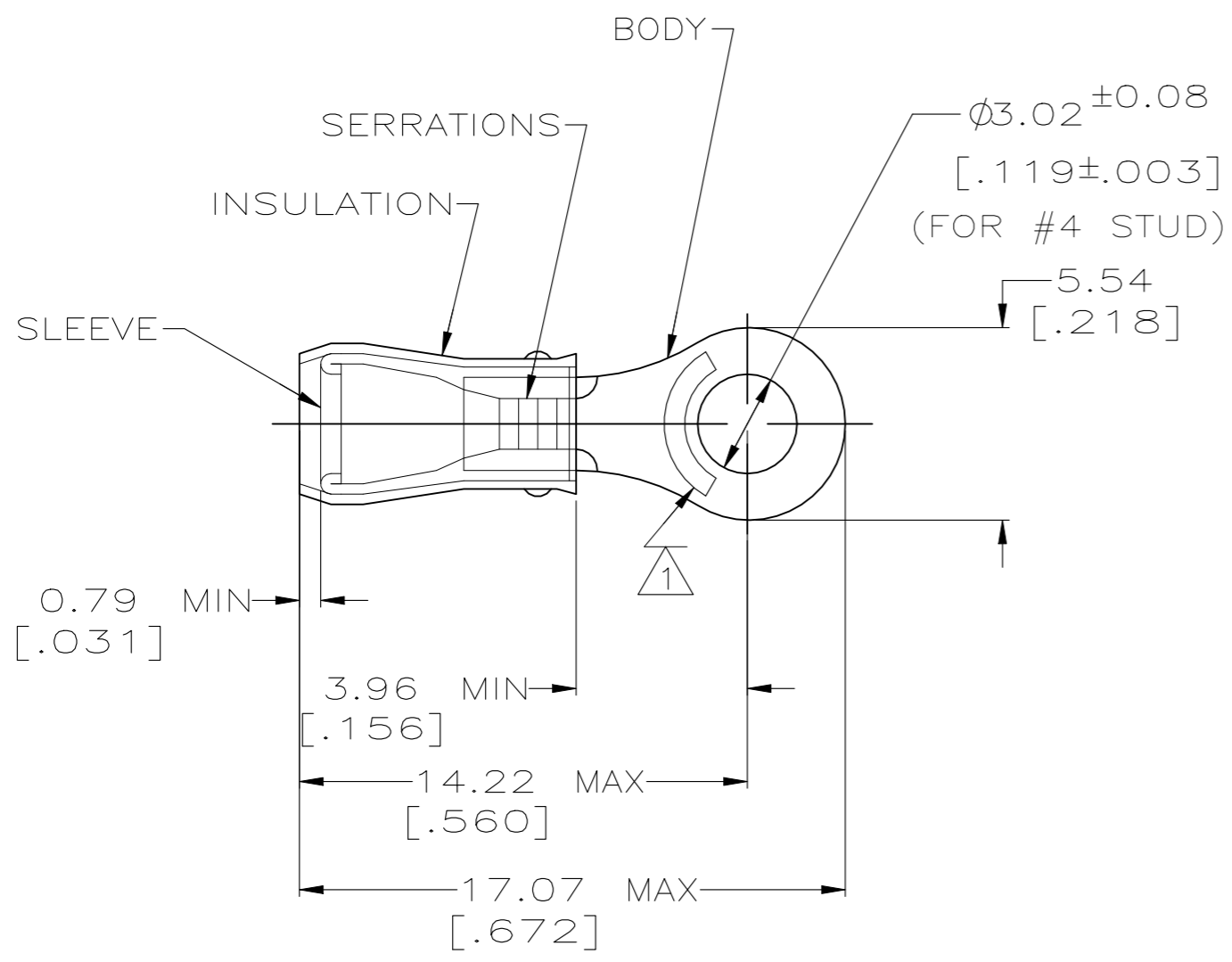


© - TE Connectivity. All Rights Reserved.

REVISIONS				
P	LTR	DESCRIPTION	DATE	APVD
	J3	REVISED PER ECN-22-156403	03JUN2022	RK CSD



AMP WIRE RANGE	E13288	LR7189 Certified
22-16 AWG SOLID OR STRANDED	22-16 AWG SOLID OR STRANDED	22-16 AWG SOLID OR STRANDED

- 1 STAMP AMP 22-18* APPROX AS SHOWN
22-16 TERMINALS ARE STAMPED 22-18 IN
ACCORDANCE WITH MILITARY SPEC MIL-T-7928
COMMERCIAL WIRE RANGE IS 22-16
- 2 WIRE INSUL DIA, 2.03-3.18 [.080-.125]
- 3 TONGUE MATERIAL THK, 0.79±0.05
[.03±.002]

MILITARY P/N & CLASS	QTY	PACKAGE TYPE	PART NO
MS25036-148 CLASS 1	1000	LOOSE PIECE	320553
-	5000	ON TAPE, REEL	2-320553-2
-	100	LOOSE PIECE, BOX	8-320553-1

**AMP INCORPORATED
CUSTOMER SERVICE SYSTEM**

FOR ADDITIONAL
PRODUCT INFORMATION OR
COPIES OF DRAWINGS
AND TECHNICAL DOCUMENTS

FOR APPLICATION
TOOLING INFORMATION

FOR ORDER ENTRY

PRODUCT INFORMATION CENTER
1-800-522-6752

TOOLING ASSISTANCE CENTER
1-800-722-1111

1-800-526-5142

MAX RECOMMENDED OPERATING
TEMPERATURE:
105° C [221 F]

VOLTAGE RATING:
300 V MAX

CIRCULAR MIL AREA:
0.26mm²-1.65mm² [509-3260]

THIS DRAWING IS A CONTROLLED DOCUMENT.

DIMENSIONS:
mm[INCHES]

TOLERANCES UNLESS
OTHERWISE SPECIFIED:

0 PLC ± -
1 PLC ± -
2 PLC ± 0.20[.008]
3 PLC ± -
4 PLC ± -
ANGLES ± -

MATERIAL
BODY,SLV,COPPER PER ASTM B
INSUL,NYLON,COLOR,RED

FINISH
150 BODY & SLV,TIN PLATE
PER MIL-T-10727

DWN M ELLIS 24MAY95
CHK C PRESNELL 24MAY95
APVD N BIRCH 24MAY95

STE TE Connectivity

NAME
TERMINAL, RING TONGUE, PIDG
TM

PRODUCT SPEC
UL 486A

APPLICATION SPEC

SIZE A3 CAGE CODE 00779 DRAWING NO C-320553 RESTRICTED TO -

WEIGHT -

CUSTOMER DRAWING SCALE 4:1 SHEET 1 OF 1 REV J3

Mouser Electronics

Authorized Distributor

Click to View Pricing, Inventory, Delivery & Lifecycle Information:

[TE Connectivity:](#)

[320553](#) [MS25036-148](#)